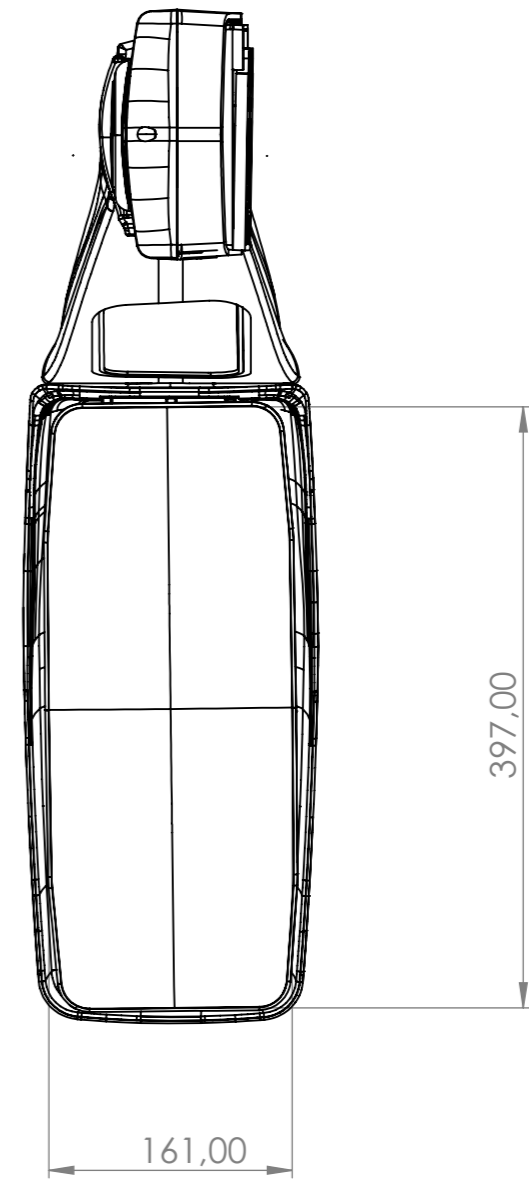
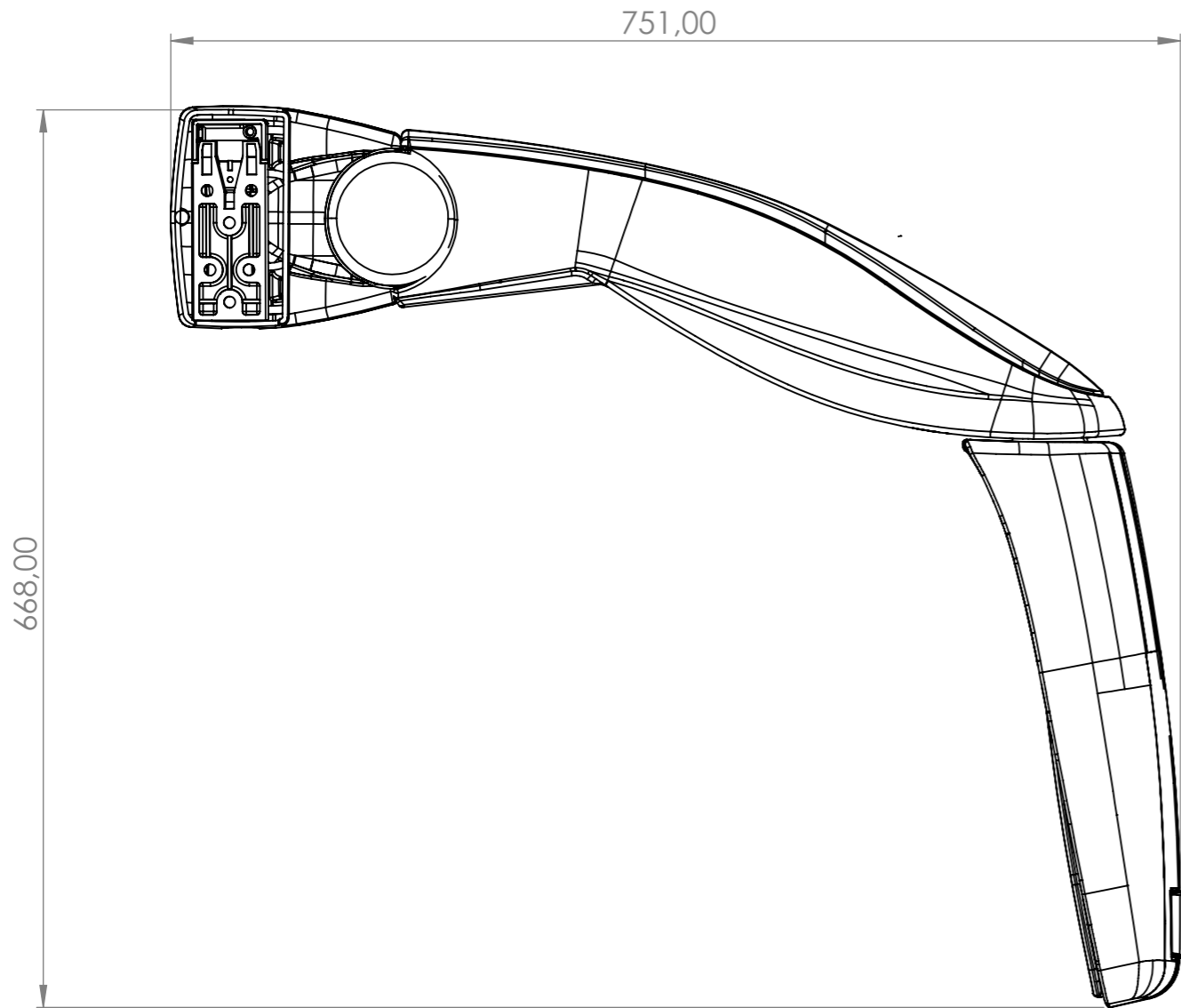


8 7 6 5 4 3 2 1



UNLESS OTHERWISE SPECIFIED: DIMENSIONS ARE IN MILLIMETERS SURFACE FINISH: TOLERANCES: LINEAR: ANGULAR:			FINISH:		DEBURR AND BREAK SHARP EDGES		DO NOT SCALE DRAWING		REVISION		
DRAWN			NAME		SIGNATURE		DATE		<p style="text-align: center;">ÖFA</p> <p style="text-align: center;">150.100.146</p> <p style="text-align: center;">150.100.147</p>		
CHK'D											
APPV'D											
MFG											
Q.A											
					MATERIAL:		DWG NO.		TITLE: VISIO		
					WEIGHT:		SCALE:1:10		SHEET 1 OF 1		
									A3		

8 7 6 5 4 3 2 1

F
E
D
C
B
A

F
E
D
C
B
A